

High Productivity Cooking Electric Tilting Pressure Braising Pan, 90lt Hygienic Profile, Freestanding with CTS

ITEM # _____

MODEL # _____

NAME # _____

SIS # _____

AIA # _____


586268 (PUET09KBEO)

Electric tilting Pressure Braising Pan 90lt (h) with steam condensation function and core temperature sensor, GuideYou panel, freestanding

Short Form Specification

Item No.

AISI 304 stainless steel construction. GN compliant pan size; 18mm thick pan bottom (15mm mild steel and 3 mm AISI 316 stainless steel). Insulated and counterbalanced lid. Motorized tilting with variable speed control. Pan can be tilted beyond 90° to completely empty the food. The electric heating elements are mounted under the well. Safety thermostat protects the pan from overheating. A precise, electronic control of pan bottom temperature ensures fast reaction and exact adherence to preselected cooking temperatures between 50° and 250°C. Automatic steam elimination at the end of the cooking cycle. It can be used for poaching or steaming (with the lid open); simmering and boiling (with open or closed lid); pressure cooking of multiple produces possible thanks to the use of suspended GN 1/1 containers. TOUCH control panel. SOFT function. PRESSURE function. Possibility to store recipes in single or multiphase cooking process, with different temperature settings. Built in temperature sensors for precise control of cooking process. Core Temperature Sensor provides efficient temperature control. IPX6 water resistant. Configuration: Free-standing or Standing against a wall. Installation options (not included): floor mounted on 200mm high feet or a plinth which can be either steel or masonry construction.

Main Features

- Multifunctional cooking appliance used for roasting, pot-roasting, braising, simmering, boiling, pressure cooking and steaming.
- Pan size is GN compliant.
- Easy to clean cooking surface due to large-radius edges and corners.
- Thermoblock heating system for optimal temperature distribution and high temperature stability.
- Pan bottom with two individually adjustable heating zones, each with a temperature sensor.
- Safety mechanism prevents lid from opening, even in case of voluntary attempt, when cooking under pressure.
- Temperature sensors provides efficient temperature control: the power is supplied as and when required to keep the set temperature value without exceeding it.
- Safety valve on the lid avoids overpressure in the food compartment.
- Cooking with a working pressure of 0.45 bar reduces cooking times.
- IPX6 water resistant.
- Optimum heat distribution in the food provides best cooking results in terms of taste, colour and consistency and in terms of vitamin preserving.
- Overnight cooking: saving electricity and time.
- Motorized, variable pan tilting with "SOFT STOP". Tilting and pouring speeds can be precisely adjusted. Pan can be tilted over 90° to facilitate pouring and cleaning operations.
- "Pressure function": once the pressure lid is locked, the system automatically regulates itself.
- Built in temperature sensor to precisely control the cooking process.
- Core Temperature Sensor (CTS): multi-sensor food probe, 6 sensors, 0,5 °C accuracy, provides efficient temperature control. The power is supplied as and when required to keep the set temperature value without exceeding it and once reached, the food is ready to be served.
- No overshooting of cooking temperatures, fast reaction.
- USB connection to easily update the software, upload/download recipes and download HACCP data.

Construction

- External panelling and internal frame made of 1.4301 (AISI 304) stainless steel.
- Multipurpose non-stick cooking surface in 18

APPROVAL: _____

mm thick compound: 3 mm shot-blasted 1.4404 (AISI 316L) stainless steel surface, seamlessly welded to the mild steel bottom.

- Double-lined insulated lid in 1.4301 (AISI 304) stainless steel mounted on the cross beam of the unit, counterbalanced by a hinge that remains open in all positions.
- 15 mm thick heating layer concealed below the entire pan bottom, to provide high thermal diffusion and heat storage properties.
- Water mixing tap is available as optional accessory to make water filling and pan cleaning easier.
- Heatproof handle with non-slip surface.
- Front-mounted inclined led "TOUCH" control panel with recessed deep drawn casing, features self-explanatory display functions which guide operator throughout the cooking process: simultaneous display of actual and set temperature as well as set cooking time and remaining cooking time; real time clock; "SOFT" control for gentle heating up for delicate food; 9 power simmering levels from gentle to heavy boiling; timer for deferred start; error display for quick trouble-shooting.
- Pressure lid fitted with a proven fast-acting lock which is simple and safe in operation.
- "Boiling" or "Braising" mode functions.
- Minimised presence of narrow gaps for easier cleaning of the sides to meet the highest hygiene standards.
- Can be prearranged for energy optimisation or external surveillance systems (optional).
- 98% recyclable by weight; packaging material free of toxic substances.
- Lateral surface of the vessel in DIN 1.4301/AISI 304.
- GuideYou Panel - activated by the user via settings - to easily follow the multiphase recipes, granting a proper and controlled cooking and a better appliance optimization.
 The system will provide maintenance reminders, in line with ESSENTIA program, helping the user to properly take care of the product, avoiding downtimes.
- Highly-visible and bright led TOUCH control panel features user-friendly icons and intuitive self-explanatory command options. Display visualizes:
 - Actual and set temperature
 - Set and remaining cooking time
 - Pre-heating phase (if activated)
 - GuideYou Panel (if activated)
 - Deferred start
 - Soft Function to reach the target temperature smoothly
 - 9 Power Control levels from simmering to fierce boiling
 - Pressure mode (in pressure models)
 - Stirrer ON/OFF settings (in round boiling models)
 - Error codes for quick trouble-shooting
 - Maintenance reminders

User Interface & Data Management

- Connectivity ready for real time access to connected

appliances from remote and data monitoring (requires optional accessory - contact the Company for more details).

Sustainability

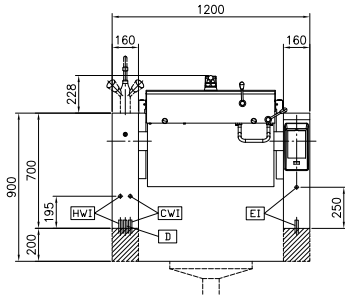
- High-quality thermal insulation of the pan saves energy and keeps operating ambient temperature low.

Optional Accessories

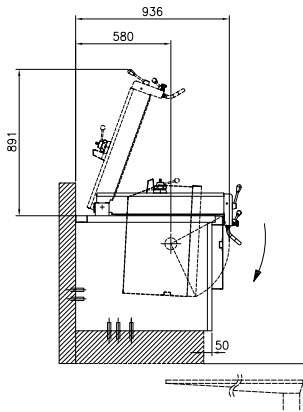
- | | | | | | | | | | | | | | | | | | | | | | | | | | | | | | | | | | | | | | | | | | |
|---|---|------------|--------------------------|------------|--------------------------|------------|--------------------------|------------|--------------------------|------------|--------------------------|------------|--------------------------|------------|--------------------------|------------|--------------------------|------------|--------------------------|------------|--------------------------|------------|--------------------------|------------|--------------------------|------------|--------------------------|------------|--------------------------|------------|--------------------------|------------|--------------------------|------------|--------------------------|------------|--------------------------|------------|--------------------------|------------|--------------------------|
| <ul style="list-style-type: none"> • Strainer for dumplings for all tilting & stationary braising and pressure braising pans (except 80lt) and for all stationary rectangular and 100lt round boiling pans • Scraper for dumpling strainer for boiling and braising pans • Suspension frame GN1/1 for rectangular boiling and braising pans • Base plate 1/1 GN for braising pans • Perforated container with handles 1/1GN (height=100mm) for boiling and braising pans • Perforated container with handles 1/1GN (height 150mm) for boiling and braising pans • Small perforated shovel for braising pans (PFEN/PUEN) • Small shovel for braising pans (PFEN/PUEN) • Perforated container with handles 1/1GN (height 200mm) for boiling and braising pans • C-board (length 1200mm) for tilting units - factory fitted • MOBILE KIT TxxT/PxxT (VAR.width=S-Code) • Power Socket, CEE16, built-in, 16A/400V, IP67, red-white - factory fitted • Power Socket, CEE32, built-in, 32A/400V, IP67, red-white - factory fitted • Power Socket, SCHUKO, built-in, 16A/230V, IP68, blue-white - factory fitted • Power Socket, TYP23, built-in, 16A/230V, IP55, black - factory fitted • Power Socket, TYP25, built-in, 16A/400V, IP55, black - factory fitted • Power Socket, SCHUKO, built-in, 16A/230V, IP55, black - factory fitted • Power Socket, CEE16, built-in, 16A/230V, IP67, blue-white - factory fitted • Power Socket, TYP23, built-in, 16A/230V, IP54, blue - factory fitted • Power Socket, SCHUKO, built-in, 16A/230V, IP54, blue - factory fitted | <table border="0"> <tr><td>PNC 910053</td><td><input type="checkbox"/></td></tr> <tr><td>PNC 910058</td><td><input type="checkbox"/></td></tr> <tr><td>PNC 910191</td><td><input type="checkbox"/></td></tr> <tr><td>PNC 910201</td><td><input type="checkbox"/></td></tr> <tr><td>PNC 910211</td><td><input type="checkbox"/></td></tr> <tr><td>PNC 910212</td><td><input type="checkbox"/></td></tr> <tr><td>PNC 911577</td><td><input type="checkbox"/></td></tr> <tr><td>PNC 911578</td><td><input type="checkbox"/></td></tr> <tr><td>PNC 911673</td><td><input type="checkbox"/></td></tr> <tr><td>PNC 912184</td><td><input type="checkbox"/></td></tr> <tr><td>PNC 912460</td><td><input type="checkbox"/></td></tr> <tr><td>PNC 912468</td><td><input type="checkbox"/></td></tr> <tr><td>PNC 912469</td><td><input type="checkbox"/></td></tr> <tr><td>PNC 912470</td><td><input type="checkbox"/></td></tr> <tr><td>PNC 912471</td><td><input type="checkbox"/></td></tr> <tr><td>PNC 912472</td><td><input type="checkbox"/></td></tr> <tr><td>PNC 912473</td><td><input type="checkbox"/></td></tr> <tr><td>PNC 912474</td><td><input type="checkbox"/></td></tr> <tr><td>PNC 912475</td><td><input type="checkbox"/></td></tr> <tr><td>PNC 912476</td><td><input type="checkbox"/></td></tr> </table> | PNC 910053 | <input type="checkbox"/> | PNC 910058 | <input type="checkbox"/> | PNC 910191 | <input type="checkbox"/> | PNC 910201 | <input type="checkbox"/> | PNC 910211 | <input type="checkbox"/> | PNC 910212 | <input type="checkbox"/> | PNC 911577 | <input type="checkbox"/> | PNC 911578 | <input type="checkbox"/> | PNC 911673 | <input type="checkbox"/> | PNC 912184 | <input type="checkbox"/> | PNC 912460 | <input type="checkbox"/> | PNC 912468 | <input type="checkbox"/> | PNC 912469 | <input type="checkbox"/> | PNC 912470 | <input type="checkbox"/> | PNC 912471 | <input type="checkbox"/> | PNC 912472 | <input type="checkbox"/> | PNC 912473 | <input type="checkbox"/> | PNC 912474 | <input type="checkbox"/> | PNC 912475 | <input type="checkbox"/> | PNC 912476 | <input type="checkbox"/> |
| PNC 910053 | <input type="checkbox"/> | | | | | | | | | | | | | | | | | | | | | | | | | | | | | | | | | | | | | | | | |
| PNC 910058 | <input type="checkbox"/> | | | | | | | | | | | | | | | | | | | | | | | | | | | | | | | | | | | | | | | | |
| PNC 910191 | <input type="checkbox"/> | | | | | | | | | | | | | | | | | | | | | | | | | | | | | | | | | | | | | | | | |
| PNC 910201 | <input type="checkbox"/> | | | | | | | | | | | | | | | | | | | | | | | | | | | | | | | | | | | | | | | | |
| PNC 910211 | <input type="checkbox"/> | | | | | | | | | | | | | | | | | | | | | | | | | | | | | | | | | | | | | | | | |
| PNC 910212 | <input type="checkbox"/> | | | | | | | | | | | | | | | | | | | | | | | | | | | | | | | | | | | | | | | | |
| PNC 911577 | <input type="checkbox"/> | | | | | | | | | | | | | | | | | | | | | | | | | | | | | | | | | | | | | | | | |
| PNC 911578 | <input type="checkbox"/> | | | | | | | | | | | | | | | | | | | | | | | | | | | | | | | | | | | | | | | | |
| PNC 911673 | <input type="checkbox"/> | | | | | | | | | | | | | | | | | | | | | | | | | | | | | | | | | | | | | | | | |
| PNC 912184 | <input type="checkbox"/> | | | | | | | | | | | | | | | | | | | | | | | | | | | | | | | | | | | | | | | | |
| PNC 912460 | <input type="checkbox"/> | | | | | | | | | | | | | | | | | | | | | | | | | | | | | | | | | | | | | | | | |
| PNC 912468 | <input type="checkbox"/> | | | | | | | | | | | | | | | | | | | | | | | | | | | | | | | | | | | | | | | | |
| PNC 912469 | <input type="checkbox"/> | | | | | | | | | | | | | | | | | | | | | | | | | | | | | | | | | | | | | | | | |
| PNC 912470 | <input type="checkbox"/> | | | | | | | | | | | | | | | | | | | | | | | | | | | | | | | | | | | | | | | | |
| PNC 912471 | <input type="checkbox"/> | | | | | | | | | | | | | | | | | | | | | | | | | | | | | | | | | | | | | | | | |
| PNC 912472 | <input type="checkbox"/> | | | | | | | | | | | | | | | | | | | | | | | | | | | | | | | | | | | | | | | | |
| PNC 912473 | <input type="checkbox"/> | | | | | | | | | | | | | | | | | | | | | | | | | | | | | | | | | | | | | | | | |
| PNC 912474 | <input type="checkbox"/> | | | | | | | | | | | | | | | | | | | | | | | | | | | | | | | | | | | | | | | | |
| PNC 912475 | <input type="checkbox"/> | | | | | | | | | | | | | | | | | | | | | | | | | | | | | | | | | | | | | | | | |
| PNC 912476 | <input type="checkbox"/> | | | | | | | | | | | | | | | | | | | | | | | | | | | | | | | | | | | | | | | | |

- Power Socket, TYP25, built-in, 16A/400V, IP54, red-white - factory fitted PNC 912477
 - Panelling for plinth recess (depth from 70 to 270mm) for tilting units - factory fitted (Deutschland, Austria, Switzerland) - factory fitted PNC 912479
 - Bottom plate with 2 feet, 200mm for tilting units (height 700mm) - factory fitted PNC 912488
 - Stainless steel plinth for tilting units - against wall - factory fitted PNC 912494
 - Stainless steel plinth for tilting units - freestanding - factory fitted PNC 912496
 - Connecting rail kit for appliances with backsplash, 850mm PNC 912498
 - Rear closing kit for tilting units - against wall - factory fitted PNC 912704
 - Automatic water filling (hot and cold) for tilting units - to be ordered with water mixer - factory fitted PNC 912735
 - Kit energy optimization and potential free contact - factory fitted PNC 912737
 - Rear closing kit for tilting units - island type - factory fitted PNC 912744
 - Lower rear backpanel for tilting units with or without backsplash - factory fitted PNC 912768
 - Mainswitch 25A, 4mm² - factory fitted PNC 912773
 - Spray gun for tilting units - freestanding (height 700mm) - factory fitted PNC 912776
 - Food tap 2" for tilting braising pans (PUET-PFET) - factory fitted PNC 912780
 - Emergency stop button - factory fitted PNC 912784
 - Scraper without handle for braising pans (PFEX/PUEX) PNC 913431
 - Scraper with vertical handle for braising pans (PFEX/PUEX) PNC 913432
 - Mixing tap with drip stop, two knobs, 685mm height, 600mm swivelling depth for PUET - factory fitted PNC 913565
 - Mixing tap with drip stop, one lever, 685mm height, 600mm swivelling depth for PUET - factory fitted PNC 913566
 - Mixing tap with two knobs, 520mm height, 600mm swivelling depth for PXXT- KWC - factory fitted PNC 913567
 - Mixing tap with one lever, 564mm height, 450mm swivelling depth for PXXT- KWC - factory fitted PNC 913568
 - Strainer for tilting pressure braising pan, 2 GN (60/90l) PNC 913575
 - Connectivity kit for ProThermetic Boiling and Braising Pans ECAP - factory fitted PNC 913577
- Recommended Detergents**
- C41 HI-TEMP RAPID DEGREASER, 1 pack of six 1 lt. bottles (trigger incl.) PNC 0S2292

Front



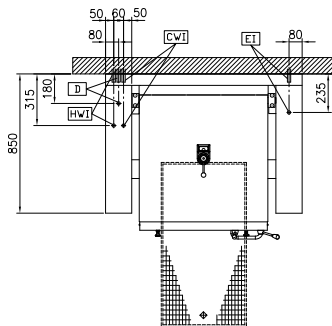
Side



CWII = Cold Water inlet 1
 (cleaning)
 D = Drain
 EI = Electrical inlet (power)

HWI = Hot water inlet

Top



Electric

Supply voltage: 400 V/3N ph/50/60 Hz
 Total Watts: 15.5 kW

Installation:

FS on concrete base; FS on feet; On base; Standing against wall

Type of installation:

Key Information:

Working Temperature MIN: 50 °C
 Working Temperature MAX: 250 °C
 Vessel (rectangle) width: 680 mm
 Vessel (rectangle) height: 274 mm
 Vessel (rectangle) depth: 558 mm
 External dimensions, Width: 1200 mm
 External dimensions, Depth: 850 mm
 External dimensions, Height: 700 mm
 Net weight: 240 kg
 Configuration: Rectangular; Tilting
 Net vessel useful capacity: 90 lt
 Tilting mechanism: Automatic
 Double jacketed lid: ✓
 Heating type: Direct